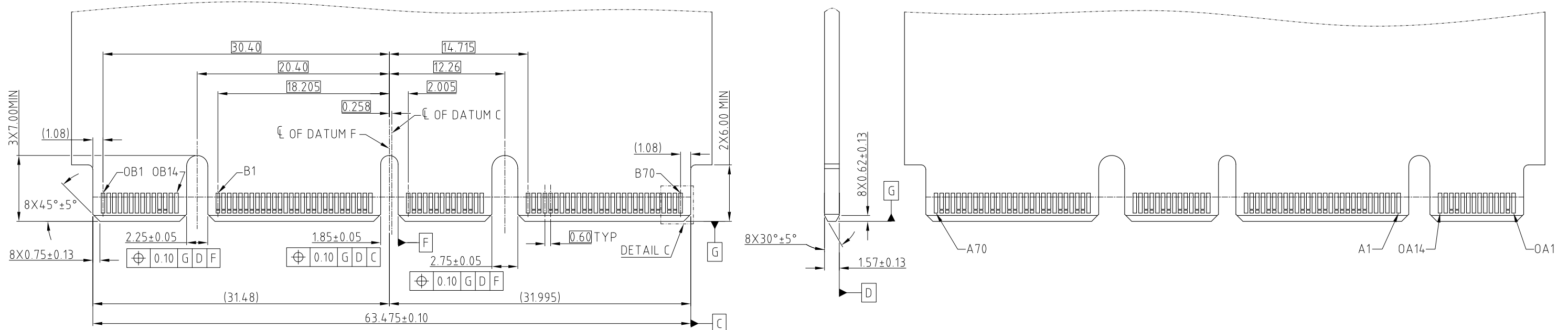
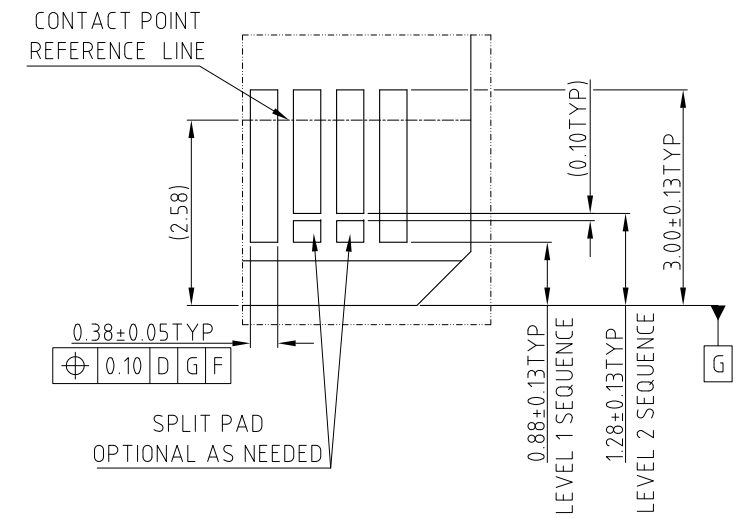
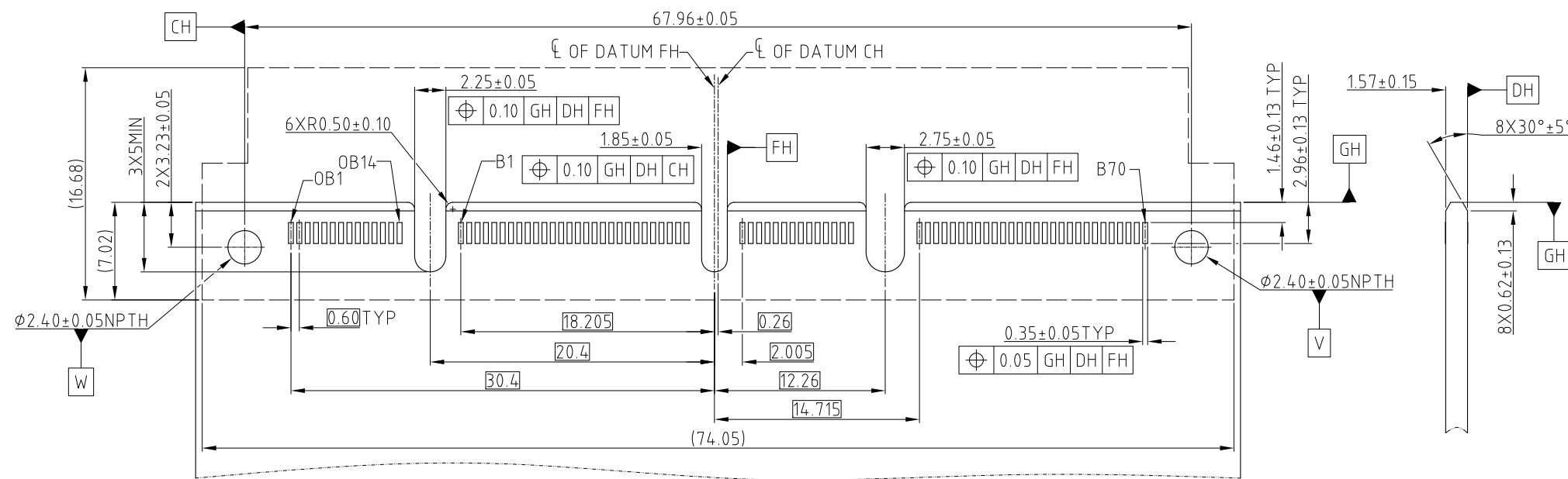


CUSTOMER DRAWING

REVISIONS				
SYM	ECN	DESCRIPTION	DATE	APPROVED
		SEE SHEET 1		



RECOMMENDED AIC MATING CARD



DETAIL C
SCALE 4:1

NOTE: POSITION A1 ON THE OPPOSITE SIDE OF CARD OF B1
RECOMMENDED FOOTPRINT

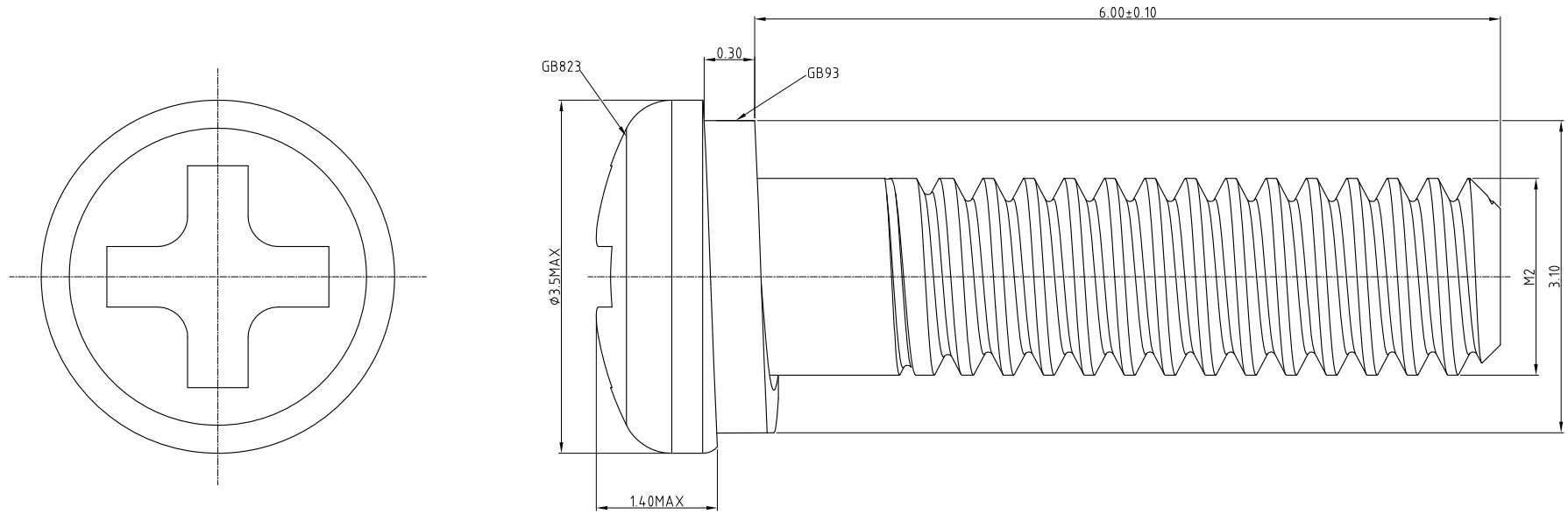
UNLESS OTHERWISE SPECIFIED TOLERANCES	
U.S.	METRIC
.X +/-	0.25
.XX +/-	0.20
.XXX +/-	0.15
FRACTIONS +/-	5°
ANGLES +/-	
FOR MATERIALS AND FINISHES SEE NOTES	
REMOVE SHARP EDGES	
DIMENSIONS	
—U.S.—	INCHES
(METRIC)	(mm)

APPROVAL	DATE
DRAWN Teng.Cao	Sep.24,2019
CHECKED Ly.Yi	Sep.24,2019
APPROVED	
DRAWING FILE :	
INTERNAL\ME\C ME10168X340X10X	
ANGLE OF PROJECTION	

ANTENK ELECTRONICS CO.,LTD Http://www.antenk.com E-mail:sales@antenk.com		
TITLE		
MINI COOL EDGE CONNECTOR		
168P S/M MATE 1.57 HOST PCB		
SIZE	DRAWING NO.	REV.
A3	C ME10168X340X10X	6
SCALE	NONE	SHEET 2 OF 5

CUSTOMER DRAWING

REVISIONS				
SYM	ECN	DESCRIPTION	DATE	APPROVED
		SEE SHEET 1		



SCREW

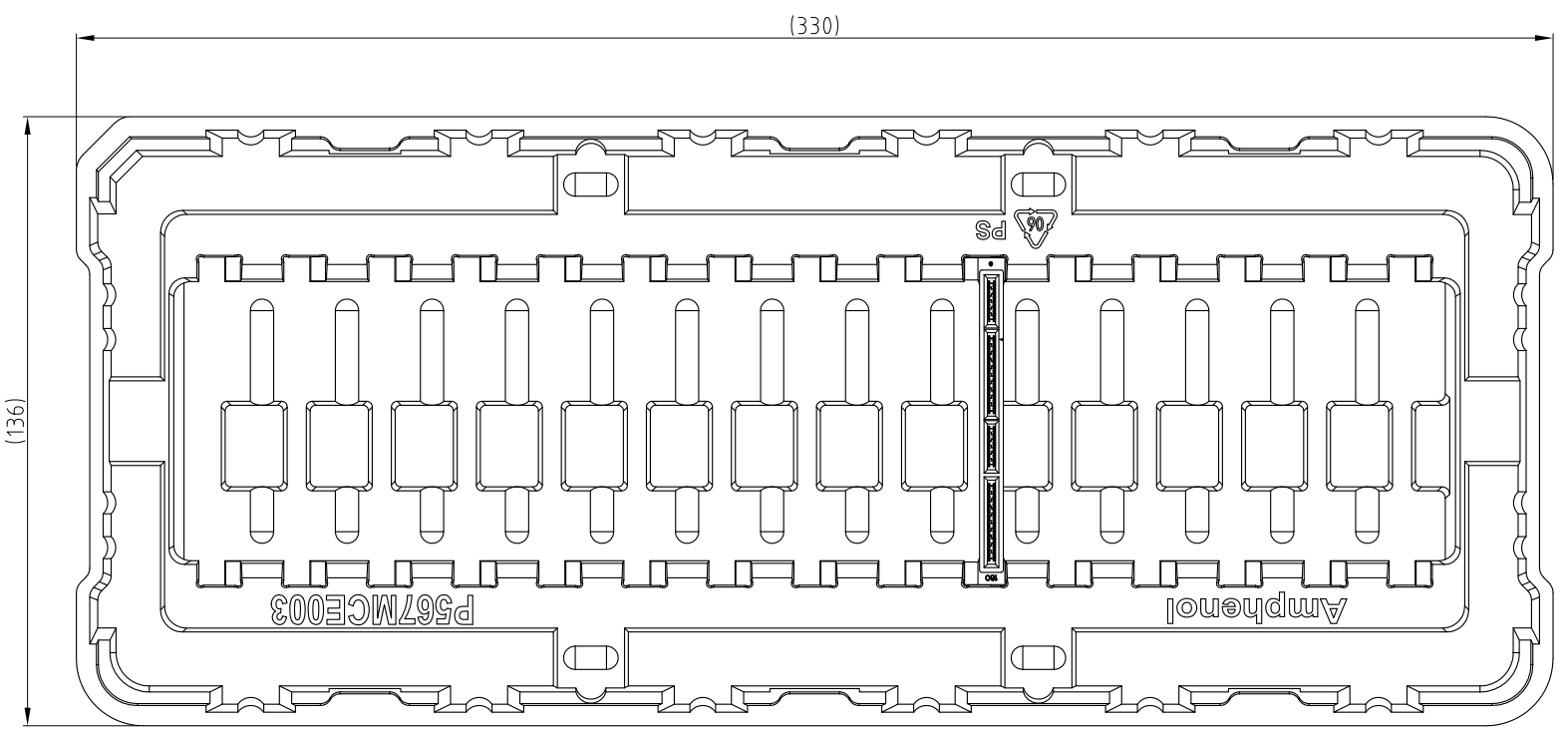
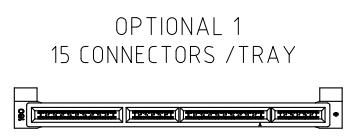
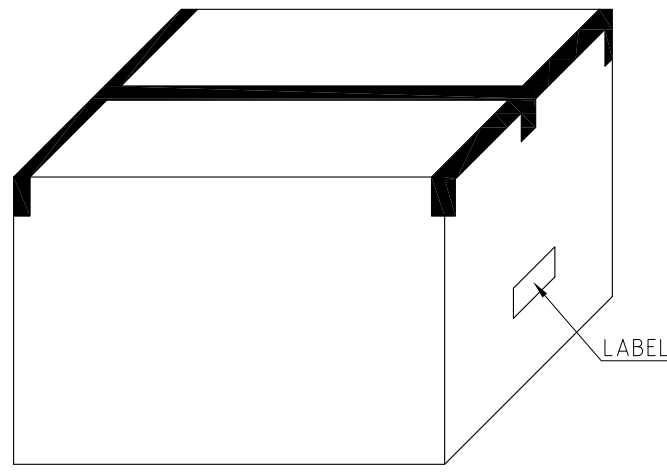
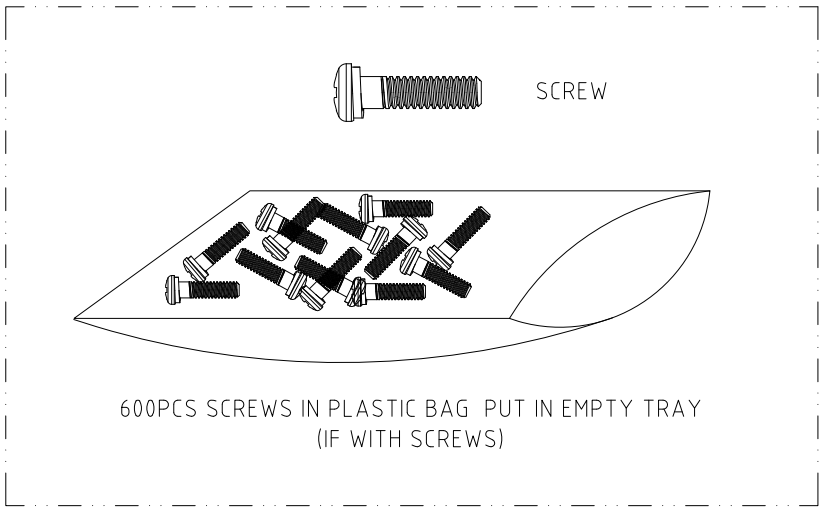
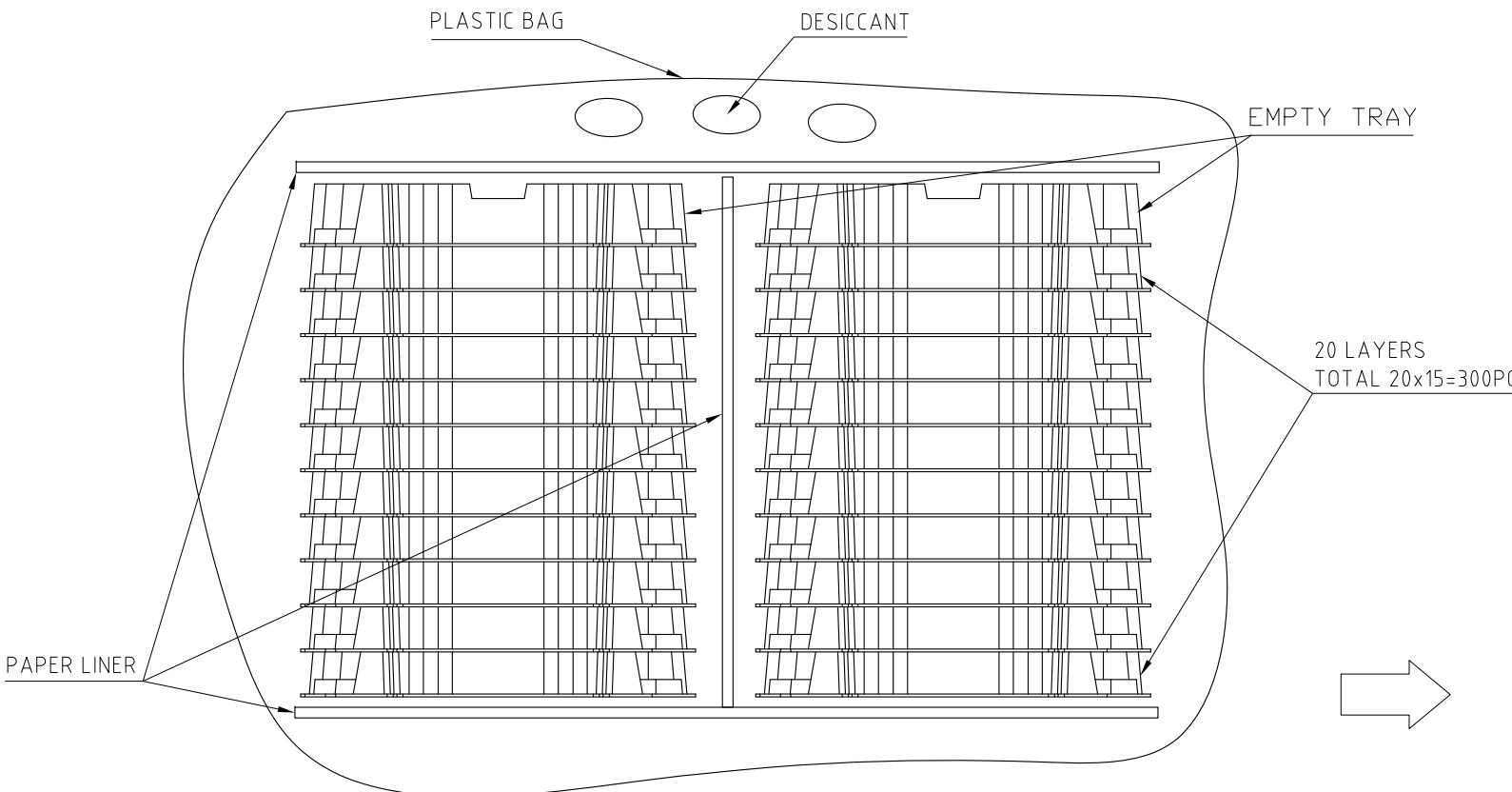
NOTE:

1. MATERIAL: SUS304
2. DIMENSIONS CONFORM TO GB823, GB93,
3. THE TORQUE 0.17N.M MAX

UNLESS OTHERWISE SPECIFIED TOLERANCES U.S. METRIC .X +/- 0.25 .XX +/- 0.20 .XXX +/- 0.15 FRACTIONS +/- 5" ANGLES +/- 5" FOR MATERIALS AND FINISHES SEE NOTES REMOVE SHARP EDGES DIMENSIONS —U.S.— INCHES (METRIC) (mm)	APPROVAL	DATE	ANTENK ELECTRONICS CO.,LTD Http://www.antenk.com E-mail:sales@antenk.com
	DRAWN Teng.Cao	Sep.24,2019	
	CHECKED Ly.Yi	Sep.24,2019	
	APPROVED		
	DRAWING FILE : INTERNAL\ME\C ME10168X340X10X		TITLE
	ANGLE OF PROJECTION		MINI COOL EDGE CONNECTOR
			168P S/M MATE 1.57 HOST PCB
	SCALE	NONE	REV.
			6
	SHEET 3 OF 5		

REVISIONS				
SYM	ECN	DESCRIPTION	DATE	APPROVED
		SEE SHEET 1		

CUSTOMER DRAWING



UNLESS OTHERWISE SPECIFIED TOLERANCES	
U.S.	METRIC
.X +/-	0.25
.XX +/-	0.20
.XXX +/-	0.15
FRACTIONS +/-	
ANGLES +/-	5°
FOR MATERIALS AND FINISHES SEE NOTES	
REMOVE SHARP EDGES	
DIMENSIONS	
—U.S.—	INCHES
(METRIC)	(mm)

APPROVAL	DATE
DRAWN Teng.Cao	Sep.24,2019
CHECKED Ly.Yi	Sep.24,2019
APPROVED	
DRAWING FILE :	
INTERNAL\ME\C ME10168X340X10X	
ANGLE OF PROJECTION	

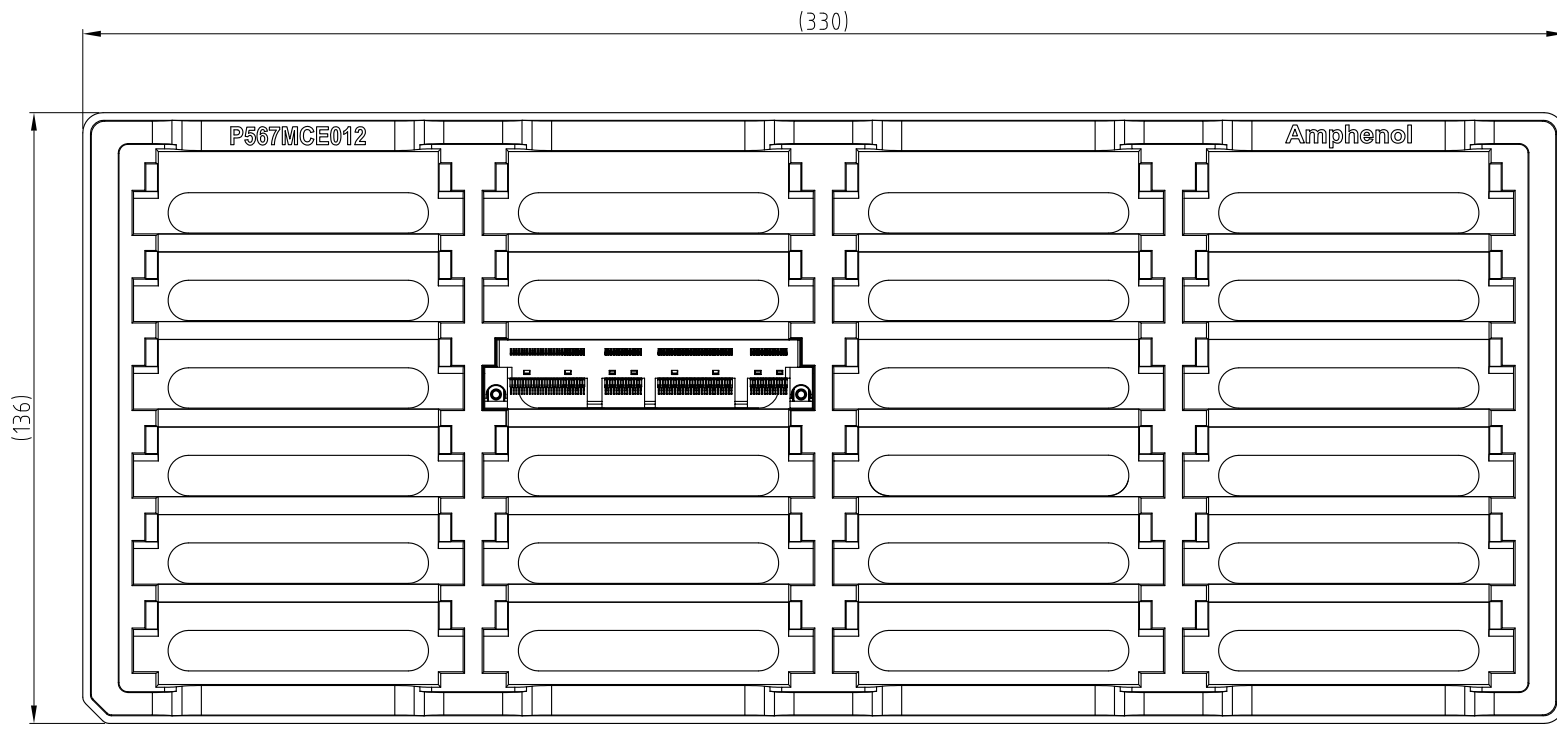
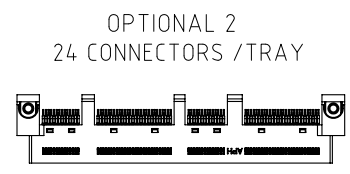
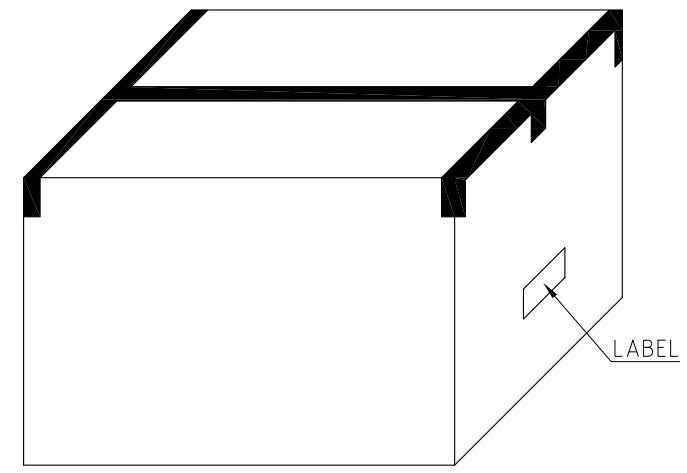
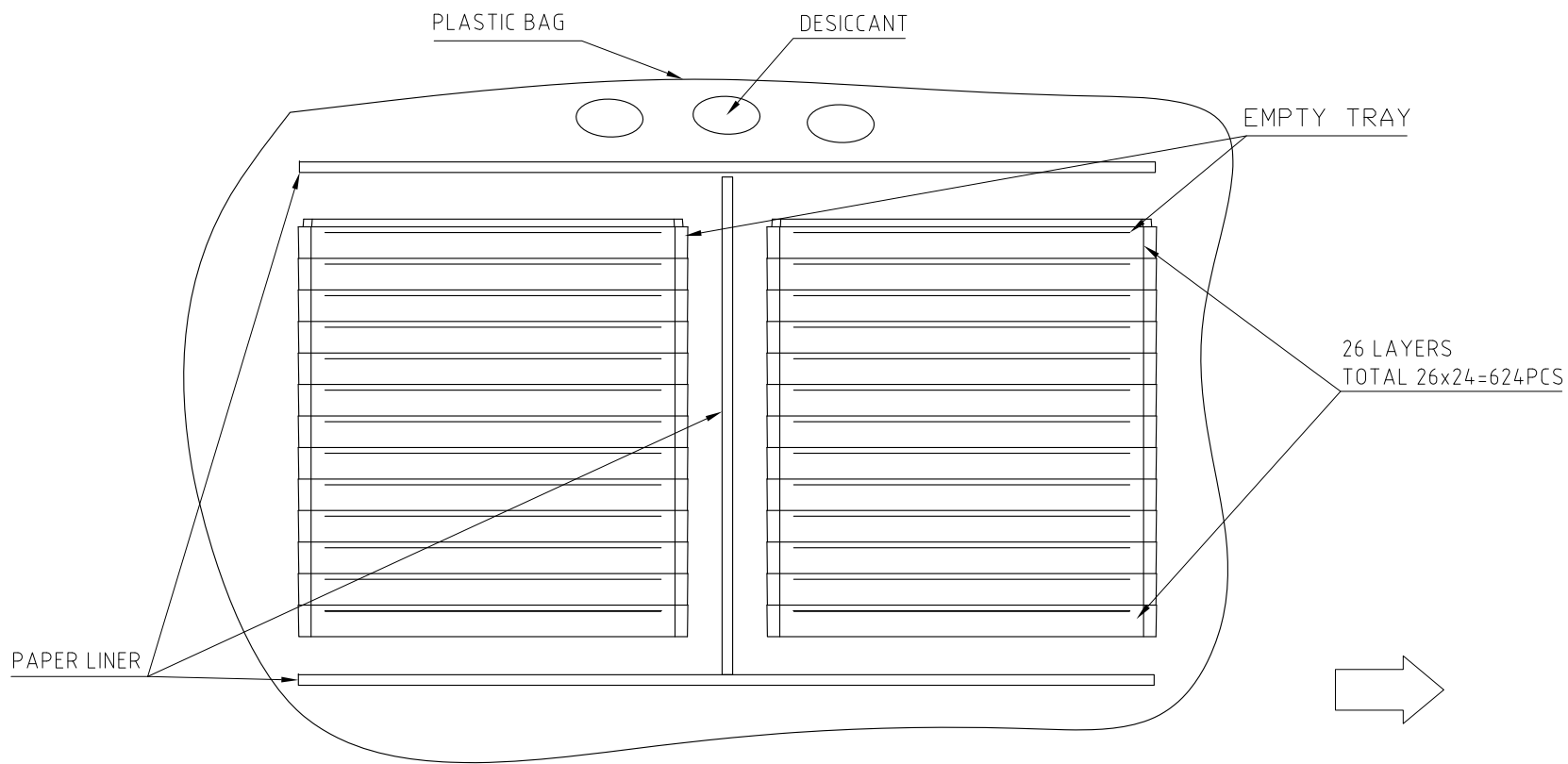
Antenk ANTENK ELECTRONICS CO.,LTD
[Http://www.antenk.com](http://www.antenk.com)
 E-mail:sales@antenk.com

TITLE
 MINI COOL EDGE CONNECTOR
 168P S/M MATE 1.57 HOST PCB

SIZE	DRAWING NO.	REV.
A3	C ME10168X340X10X	6
SCALE	NONE	SHEET 4 OF 5

CUSTOMER DRAWING

REVISIONS				
SYM	ECN	DESCRIPTION	DATE	APPROVED
		SEE SHEET 1		



UNLESS OTHERWISE SPECIFIED TOLERANCES	
	U.S. METRIC
.X +/-	0.25
.XX +/-	0.20
.XXX +/-	0.15
FRACTIONS +/-	
ANGLES +/-	5°
FOR MATERIALS AND FINISHES SEE NOTES	
REMOVE SHARP EDGES	
DIMENSIONS	
—U.S.—	INCHES
(METRIC)	(mm)

APPROVAL	DATE
DRAWN Teng.Cao	Sep.24,2019
CHECKED Ly.Yi	Sep.24,2019
APPROVED	
DRAWING FILE :	
INTERNAL\ME\C ME10168X340X10X	
ANGLE OF PROJECTION	

ANTENK ELECTRONICS CO.,LTD
[Http://www.antenk.com](http://www.antenk.com)
 E-mail:sales@antenk.com

TITLE
 MINI COOL EDGE CONNECTOR
 168P S/M MATE 1.57 HOST PCB

SIZE	DRAWING NO.	REV.
A3	C ME10168X340X10X	6

SCALE NONE SHEET 5 OF 5