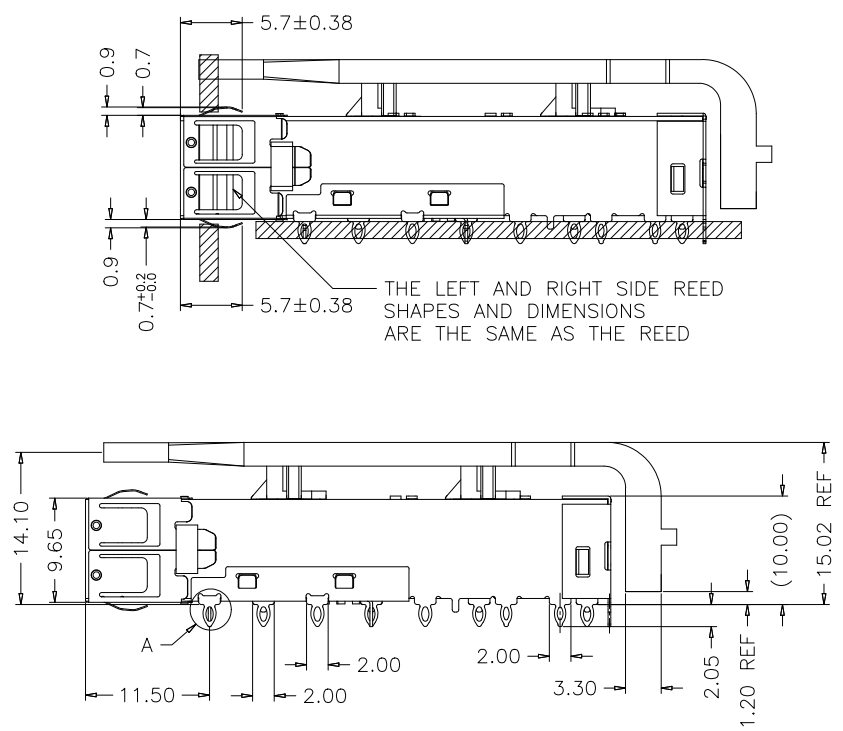
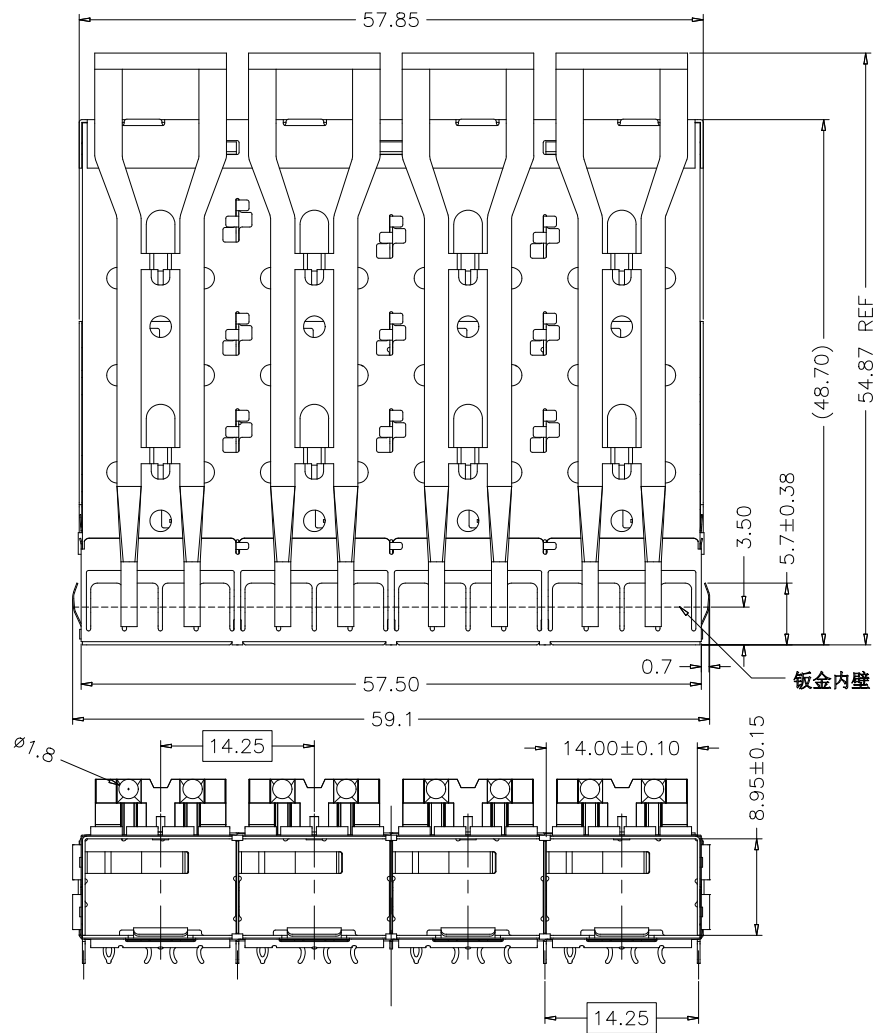


REV	DESCRIPTION OF CHANGE	REVIEWED BY	ISSUE DATE
A	FIRST ISSUE	LEO	2023-01-09

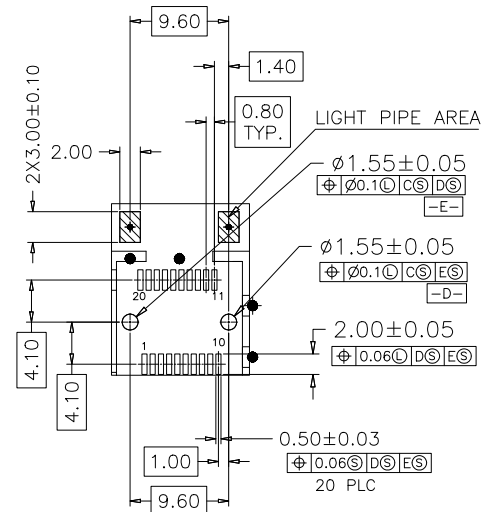
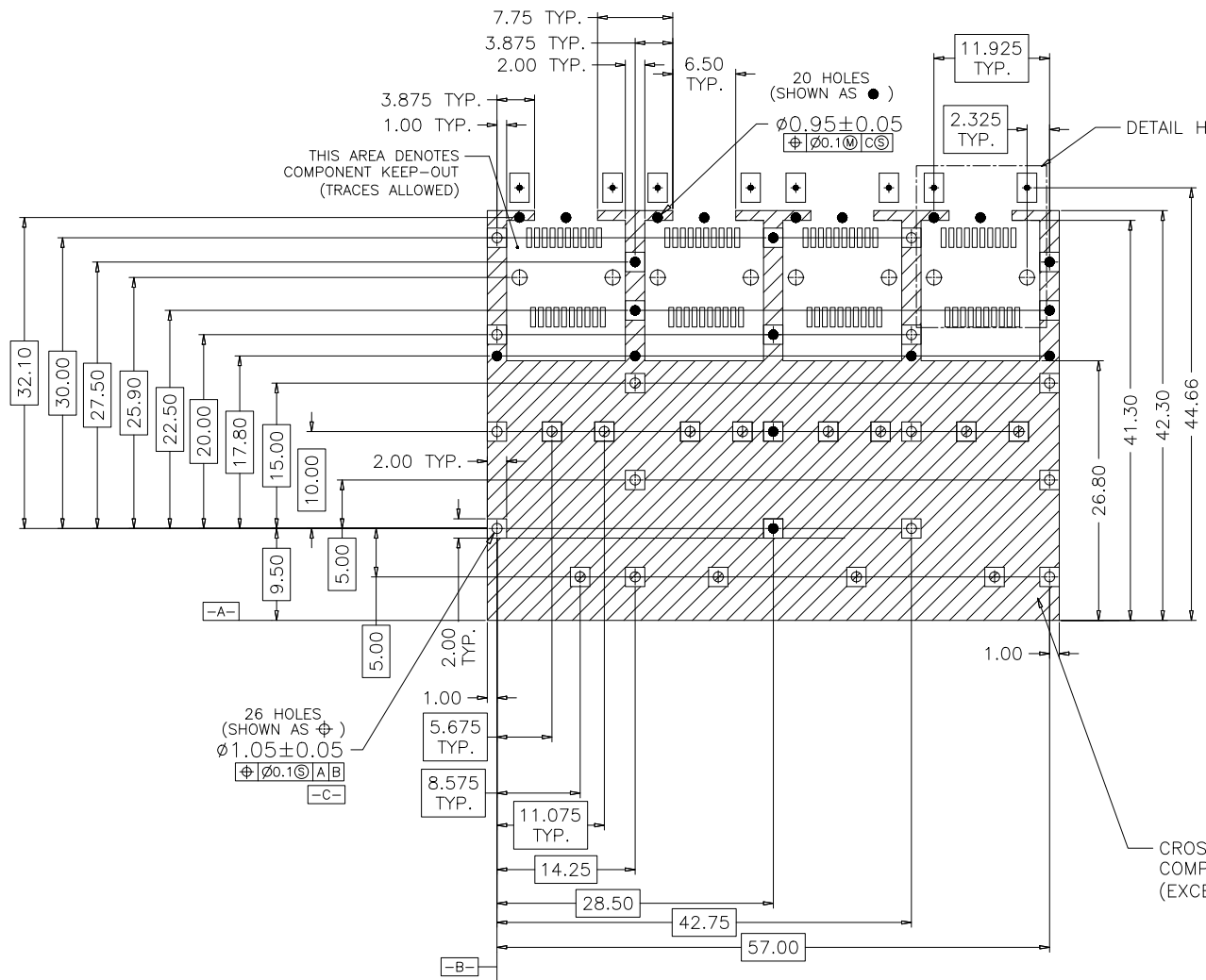


NOTES:

- MATERIAL:
CAGE: COPPER ALLOY, THICKNESS 0.25mm
LIGHT PIPE: CLEAR POLYCARBONATE
- PACKAGING: TRAY PACKAGING
- TEMPERATURE RANGE:
OPERATING : -40°C TO +85°C
NON OPERATING : -55°C TO +105°C



TITLE			LINK-PP INT'L TECHNOLOGY CO., LIMITED		
PART NO.			GENNERAL TOLERANCE	UNIT:MM	SIZE:A4
LP14BC02300S-SCNL					
APPROVE	CHECK	DRAW	SCALE:1:1	SHEET:1/5	REV:A
LEO	JAMES	JAMES			

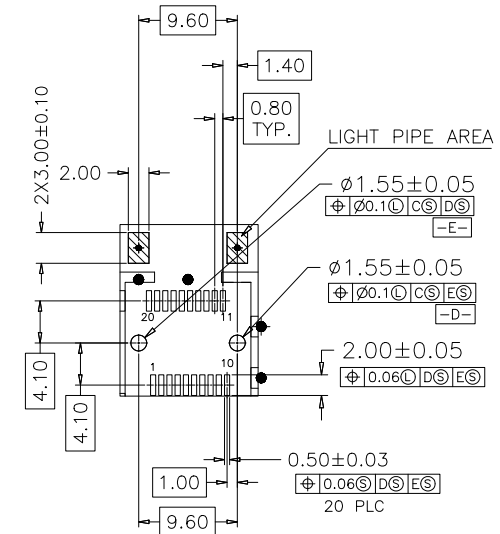
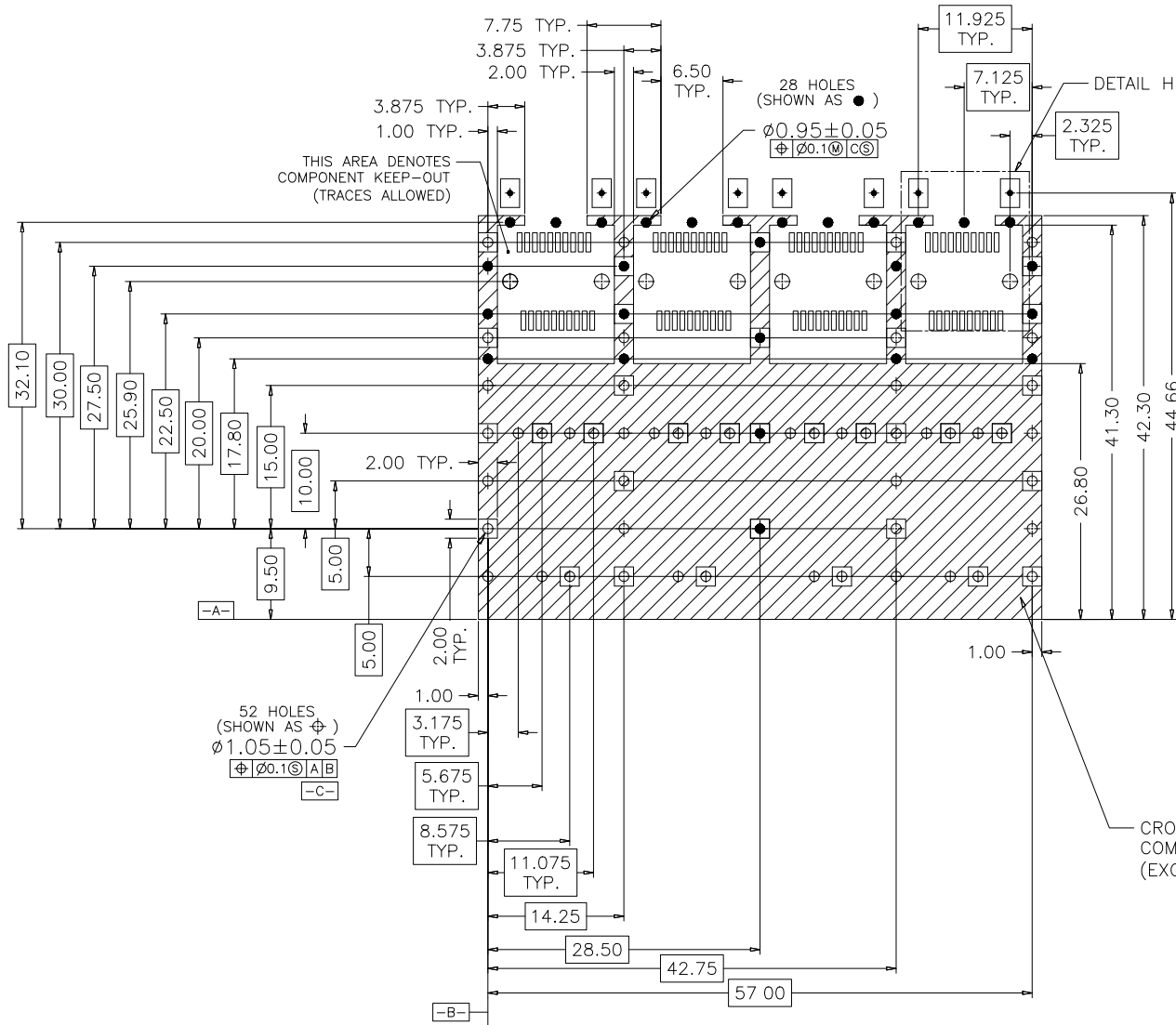


CROSS-HATCHED AREA DENOTES COMPONENT AND TRACE KEEP-OUT (EXCEPT CHASSIS GROUND)

RECOMMENDED PCB CONFIGURATION WITH KEEP-OUT AREAS SINGLE SIDED APPLICATIONS



TITLE SFP+ 1X4 CAGE WITH EMI SPRING FINHER LIGHT PIPE			LINK-PP INT'L TECHNOLOGY CO., LIMITED		
PART NO. LP14BC02300S-SCNL			GENNERAL TOLERANCE		UNIT:MM SIZE:A4
APPROVE	CHECK	DRAW	. X±0.20 . XX±0.15 . XXX±0.10	. X±1° . XX±5°	SCALE:1:1 SHEET:2/5
LEO	JAMES	JAMES			REV:A



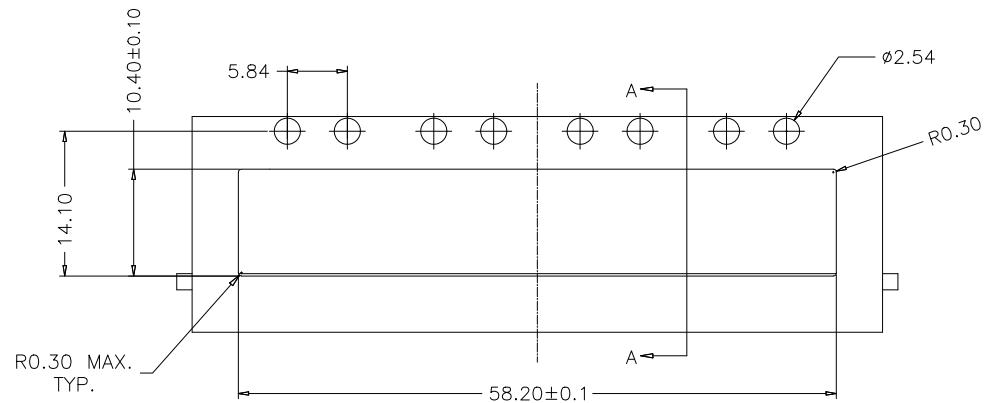
DETAIL H
RECOMMENDED CONNECTOR LAYOUT
8X INDIVIDUALLY

CROSS-HATCHED AREA DENOTES
COMPONENT AND TRACE KEEP-OUT
(EXCEPT CHASSIS GROUND)

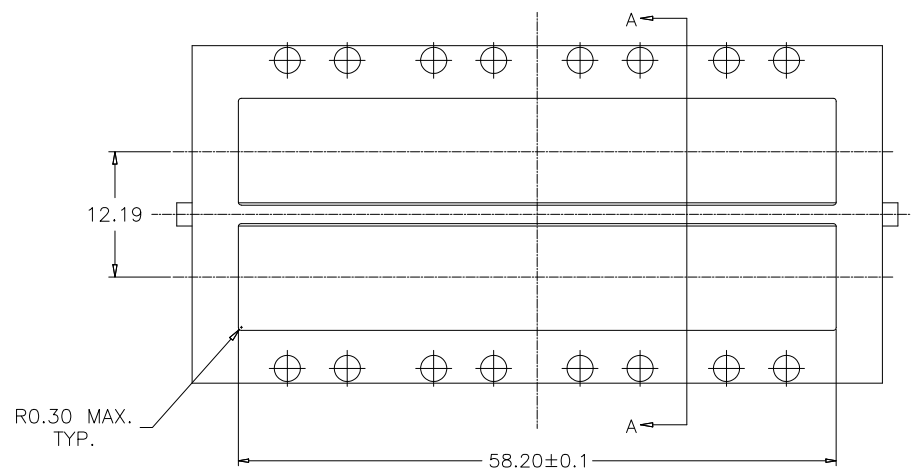
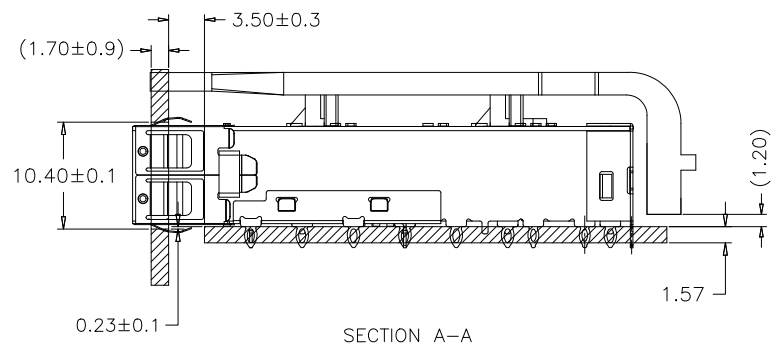
RECOMMENDED PCB CONFIGURATION
WITH KEEP-OUT AREAS
BELLY TO BELLY APPLICATIONS



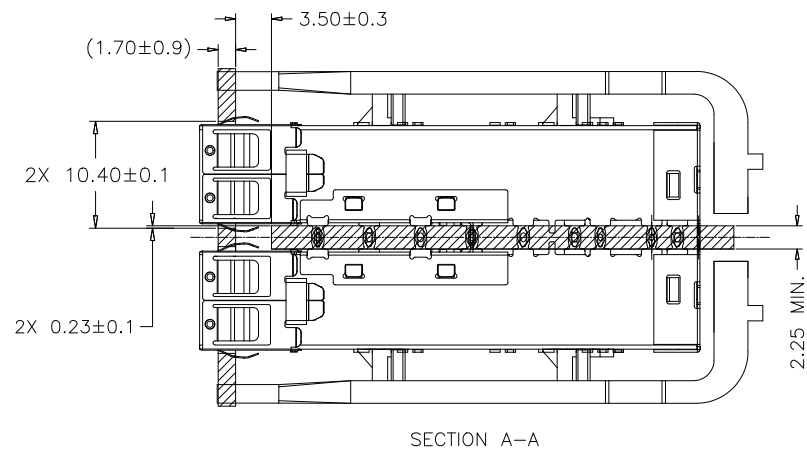
TITLE SFP+ 1X4 CAGE WITH EMI SPRING FINHER LIGHT PIPE			LINK-PP INT'L TECHNOLOGY CO., LIMITED			
PART NO. LP14BC02300S-SCNL			GENNERAL TOLERANCE		UNIT:MM	SIZE:A4
APPROVE	CHECK	DRAW	。 X±0.20	。 X±1°	SCALE:1:1	SHEET:3/5
LEO	JAMES	JAMES	。 XX±0.15	。 XX±5°		
			。 XXX±0.10			



RECOMMENDED BEZEL DESIGN
SINGLE SIDED APPLICATIONS

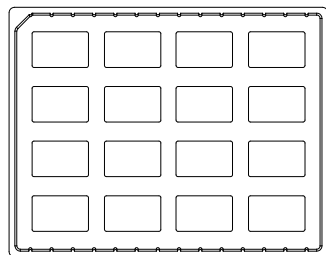


RECOMMENDED BEZEL DESIGN
BELLY TO BELLY APPLICATIONS

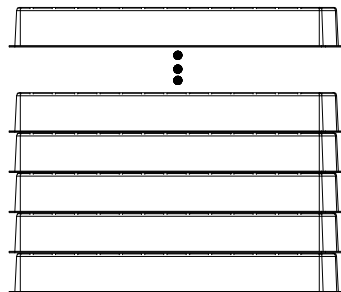


TITLE SFP+ 1X4 CAGE WITH EMI SPRING FINHER LIGHT PIPE			LINK-PP INT'L TECHNOLOGY CO., LIMITED			
PART NO. LP14BC02300S-SCNL			GENNERAL TOLERANCE		UNIT:MM	SIZE:A4
APPROVE	CHECK	DRAW	. X±0.20	. X±1°	SCALE:1:1	SHEET:4/5
LEO	JAMES	JAMES	. XX±0.15	. XX±5°		
			. XXX±0.10			

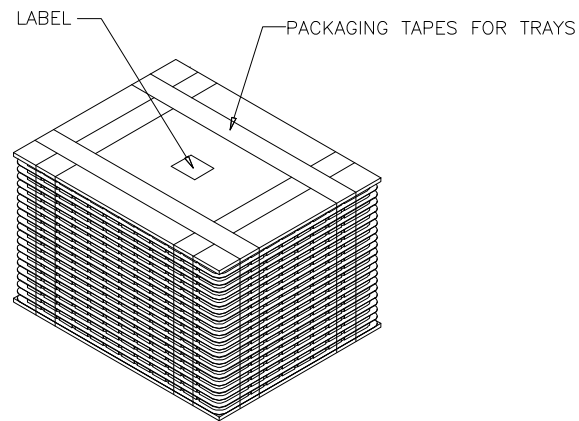
PACKAGE INFORMATION AND LABEL



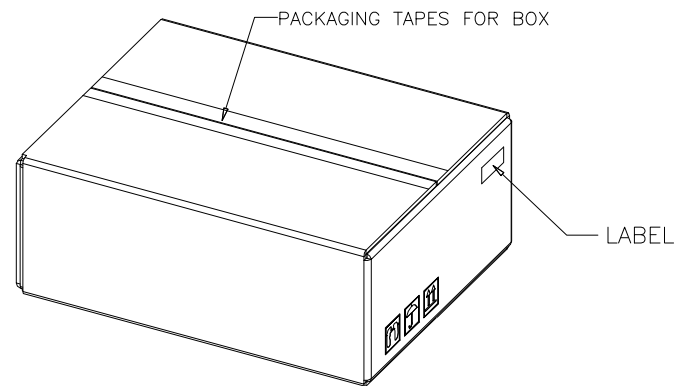
1. PRODUCTS IN TRAYS



2. TRAYS OVERLAY:
(THE NEXT TRAY NEED ROTATE 180 DEGREE AND PUT IT ON PREVIOUS TRAY.)



3. LABEL & PACKAGING TAPES FOR TRAYS:



4. LABEL & PACKAGING TAPES FOR BOX

PACKAGING LISTS	
ITEM	Q'TY
PRODUCT	90 PCS
TRAY	5 PCS
BOX(L340*W265*H200MM)	1 PCS
LABLE	2 PCS
PACKAGING TAPES	8 M (ABOUT)



TITLE SFP+ 1X4 CAGE WITH EMI SPRING FINHER LIGHT PIPE			LINK-PP INT'L TECHNOLOGY CO., LIMITED			
PART NO. LP14BC02300S-SCNL			GENNERAL TOLERANCE		UNIT:MM	SIZE:A4
APPROVE	CHECK	DRAW	。 X±0.20	。 X±1°	SCALE:1:1	SHEET:5/5
LEO	JAMES	JAMES	。 XX±0.15	。 XX±5°		
			。 XXX±0.10			