



TAI-SAW TECHNOLOGY CO., LTD.

No. 3, Industrial 2nd Rd., Ping-Chen Industrial District,
Taoyuan, 324, Taiwan, R.O.C.

TEL: 886-3-4690038 FAX: 886-3-4697532

E-mail: tstsales@mail.taisaw.com Web: www.taisaw.com

Product Specifications Approval Sheet

Product Description: SAW Rx Filter 2595MHz LTE Band 38 SMD 1109

TST Part No.: TA1968A

Customer Part No.: _____

Customer signature required
Company: _____
Division: _____
Approved by : _____
Date: _____

Checked by: _____ Anne Chen *Anne Chen*

Approved by: _____ Andy Yu *Andy Yu*

Date: _____ 2018/11/01

1. Customer signed back is required before TST can proceed with sample build and receive orders.
2. Orders received without customer signed back will be regarded as agreement on the specifications.
3. Any specifications changes must be approved upon by both parties and a new revision of specifications shall be released to reflect the changes.

SAW Rx Filter 2595MHz LTE Band 38 SMD 1109 (50MHz BW)

MODEL NO.:TA1968A

REV. NO.:4

A. MAXIMUM RATING:

1. Input Power Level: 10dBm
2. DC Voltage : 0V
3. Operating Temperature: -30 °C to +85 °C
4. Storage Temperature: -40 °C to +85 °C
5. Moisture Sensitivity Level: Level 3
6. ESD 50V(MM) 100V(HBM)

RoHS Compliant
Lead free
Lead-free soldering

Electrostatic Sensitive Device (ESD)

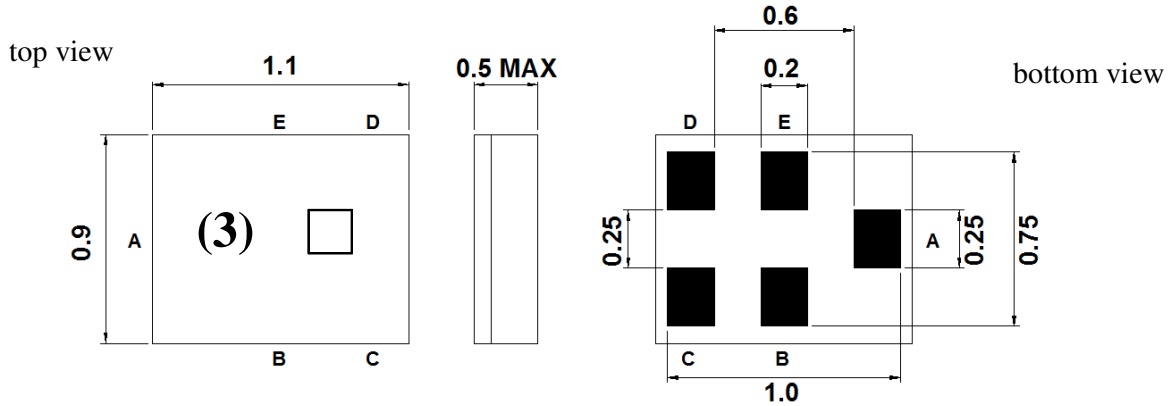
B. ELECTRICAL CHARACTERISTICS:

Terminating source impedance : $Z_s = 50 \Omega$

Terminating load impedance : $Z_L = 50 \Omega$

Item	Unit	Min.	Typ.	Max.	Note
Center Frequency	Fc	MHz	-	2595	-
Insertion Loss (2570~2620 MHz)	IL	dB	-	1.6	2.5
Amplitude ripple (2570~2620 MHz)		dBp-p	-	0.7	1.7
VSWR (2570~2620 MHz)			-	1.8	2.2
Attenuation (reference level from 0 dB)					
10 ~ 200 MHz	dB	30	41	-	-
200 ~ 1570 MHz	dB	20	29		
1570 ~ 1580 MHz	dB	20	29		
1580 ~ 2000 MHz	dB	20	29	-	-
2000 ~ 2300 MHz	dB	20	31	-	-
2300 ~ 2400 MHz	dB	25	37	-	-
2400 ~ 2485 MHz	dB	25	30	-	-
2485 ~ 2510 MHz	dB	25	29	-	-
2510 ~ 2555 MHz	dB	1.0	2.8	-	-
2635 ~ 2680 MHz	dB	1.0	2.8		
2680 ~ 2705 MHz	dB	30	44		
2705 ~ 3000 MHz	dB	25	36		
3000 ~ 4000 MHz	dB	25	34		
4000 ~ 4900 MHz	dB	20	26		
4900 ~ 6000 MHz	dB	15	22		
Temperature Coefficient of Frequency	ppm/°C		-36	-	-

C.OUTLINE DRAWING:



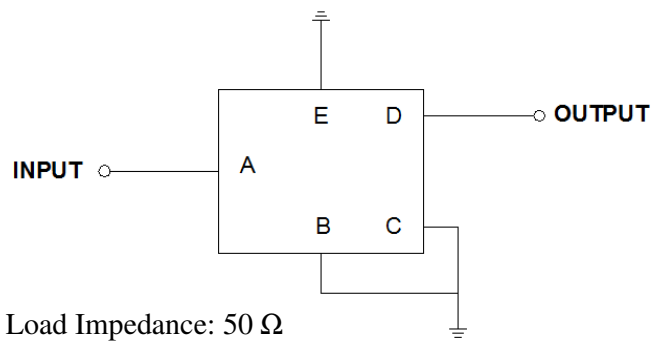
Marking Descriptions	
(3)	Series Number
□	Date Code(Year+Month)

Pin Description	
B, C, E	Ground
A	Input
D	Output

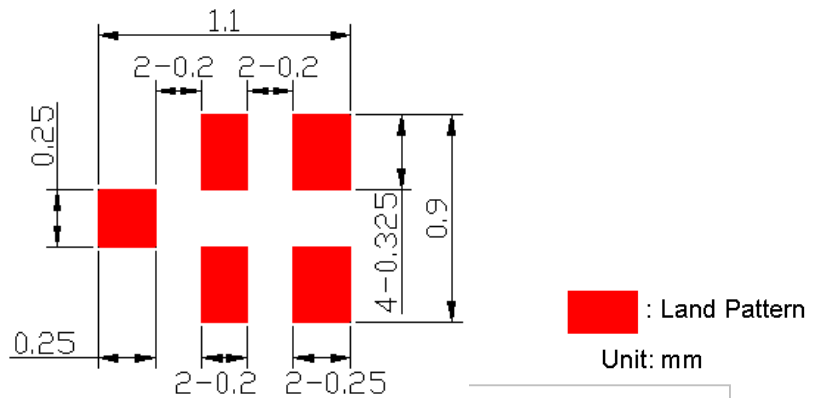
□ : Year/Month Code (Follow the table)

Year	Jan	Feb	Mar	Apr	May	Jun	Jul	Aug	Sep	Oct	Nov	Dec
2013	A	B	C	D	E	F	G	H	J	K	L	M
2014	N	P	Q	R	S	T	U	V	W	X	Y	Z
2015	a	b	c	d	e	f	g	h	j	k	l	m
2016	n	p	q	r	s	t	u	v	w	x	y	z
2017	À	B	C	D	E	E	G	H	J	K	L	M
2018	N	P	Q	B	S	I	U	V	W	X	Y	Z
2019	a	b	c	d	e	f	g	h	i	k	l	m
2020	n	p	g	r	s	t	u	v	w	x	y	z

D. MEASUREMENT CIRCUIT:



E. PCB Footprint :

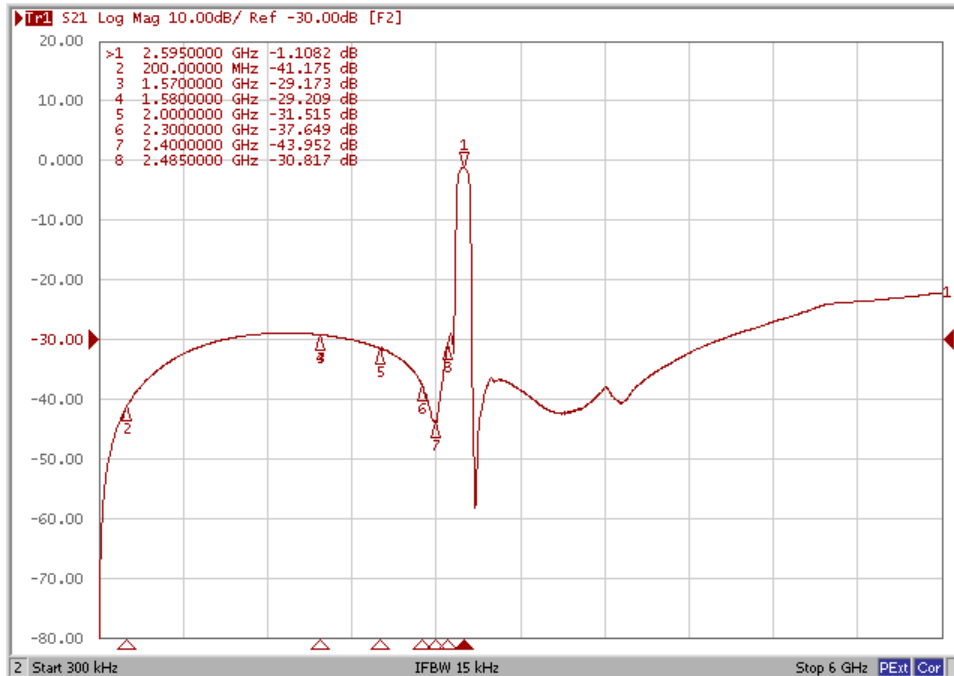
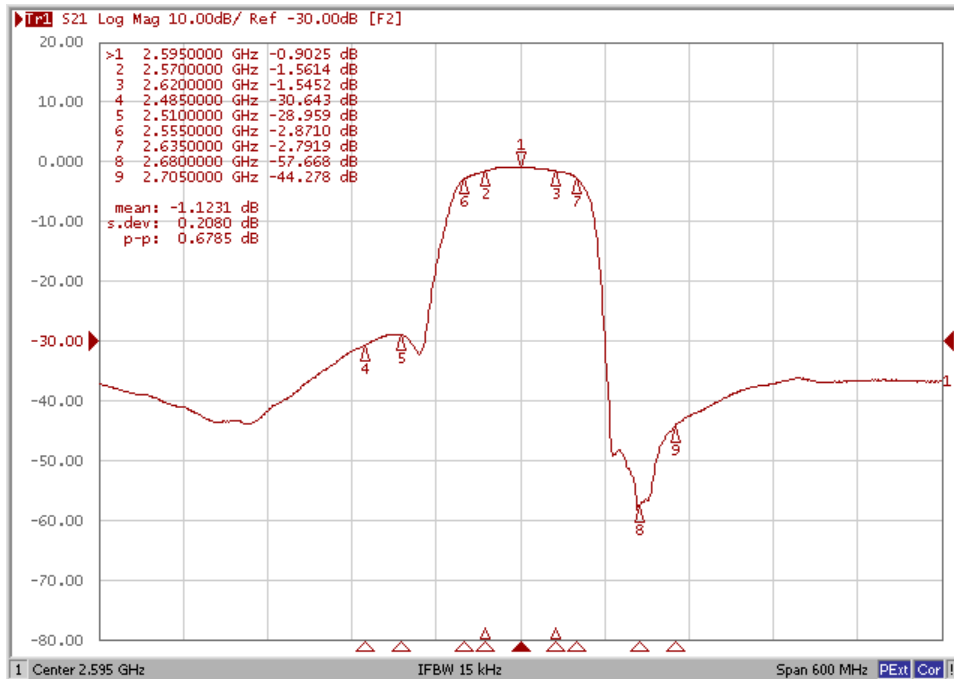


TAI-SAW TECHNOLOGY CO., LTD.

TST DCC
Release document

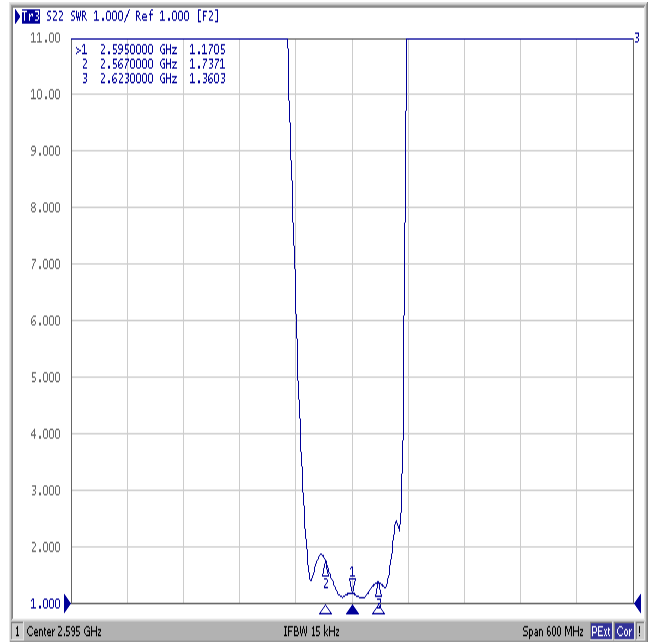
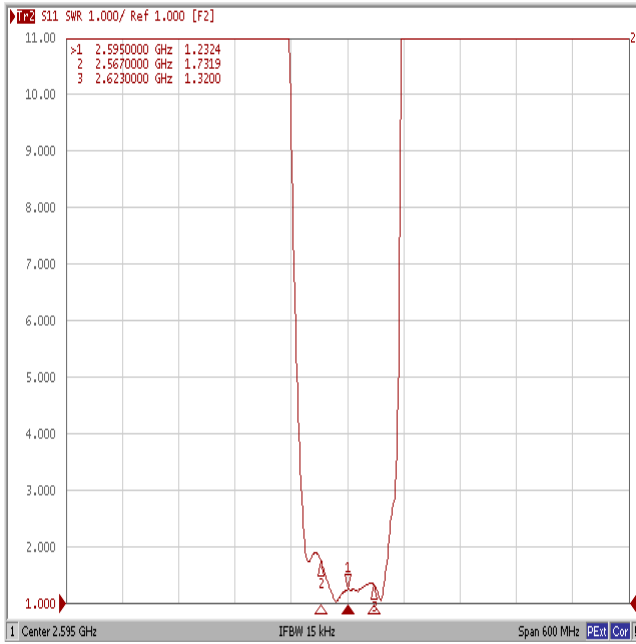
F. Frequency Characteristics

Frequency Response

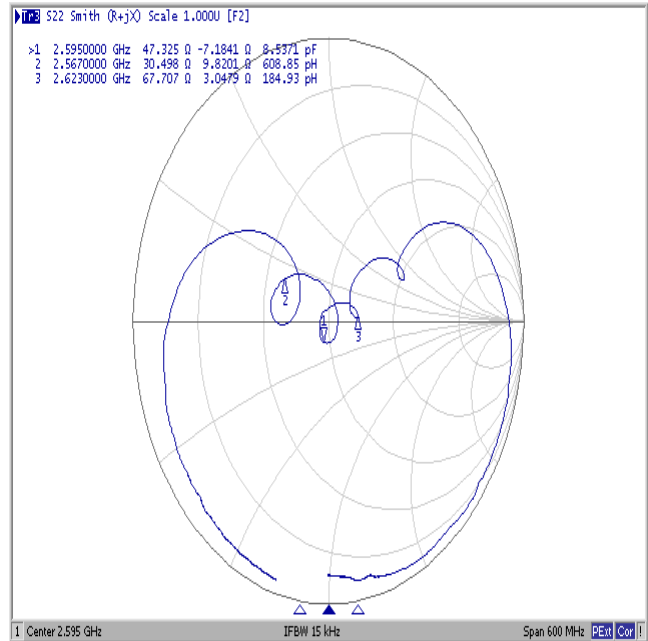
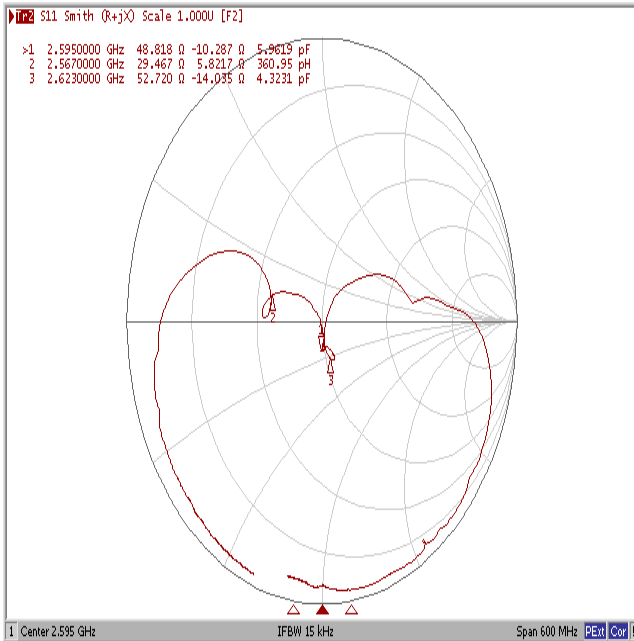


Reflection Functions :

VSWR



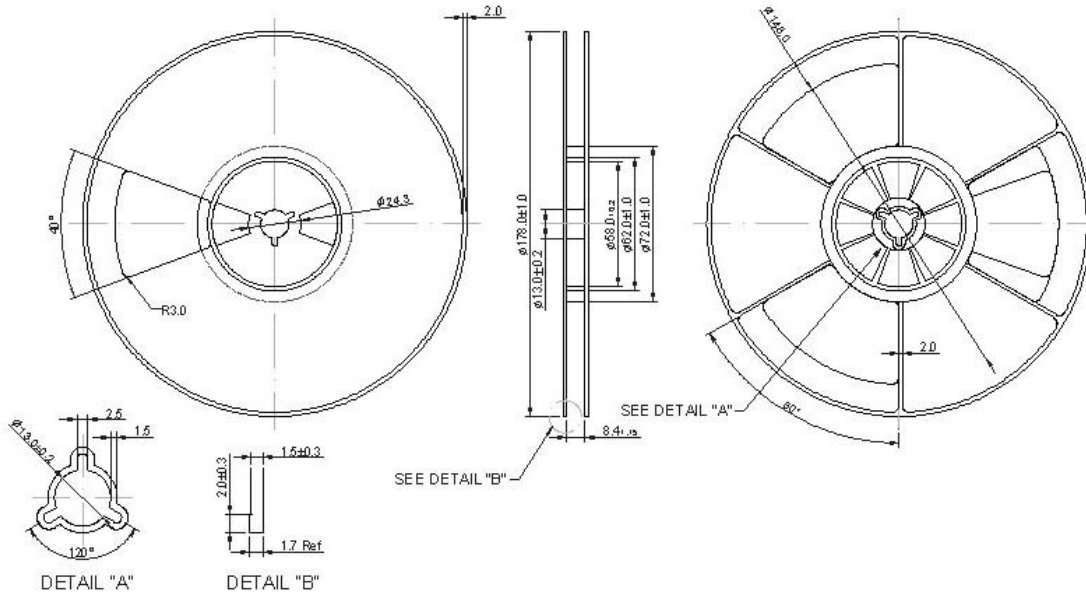
Smith Chart



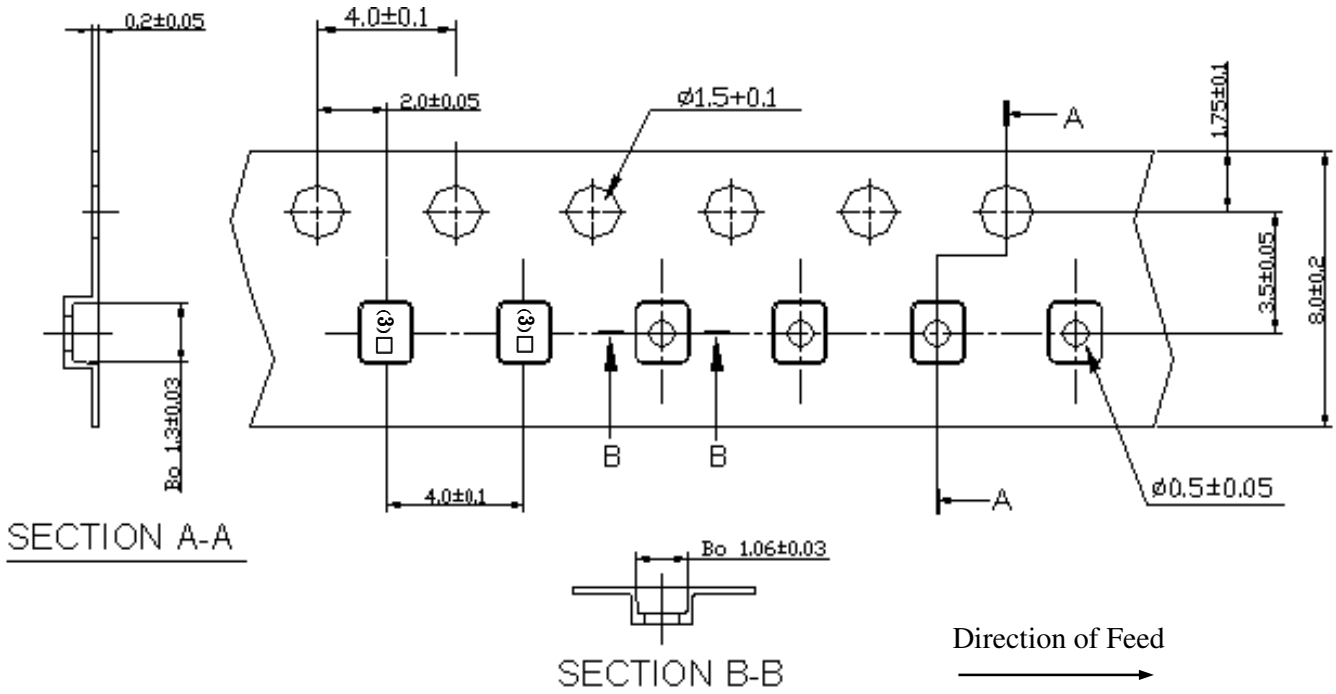
G. PACKING:

1. REEL DIMENSION

(Please refer to FR-75D10 for packing quantity)



2. TAPE DIMENSION



H. RECOMMENDED REFLOW PROFILE :

1. Preheating shall be fixed at 150~180°C for 60~90 seconds.
2. Ascending time to preheating temperature 150°C shall be 30 seconds min.
3. Heating shall be fixed at 220°C for 50~80 seconds and at 260°C+0/-5°C peak (20~40sec).
4. Time: 2 times.

